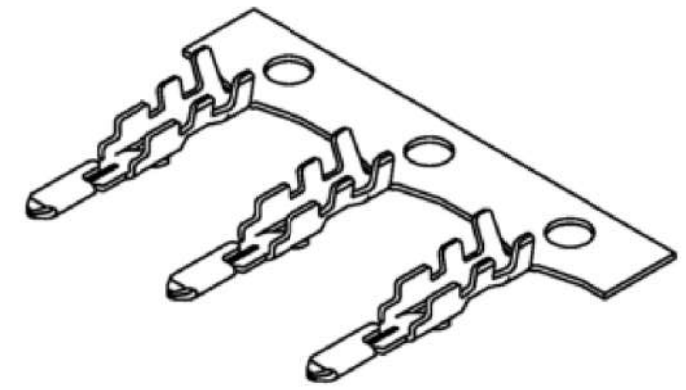
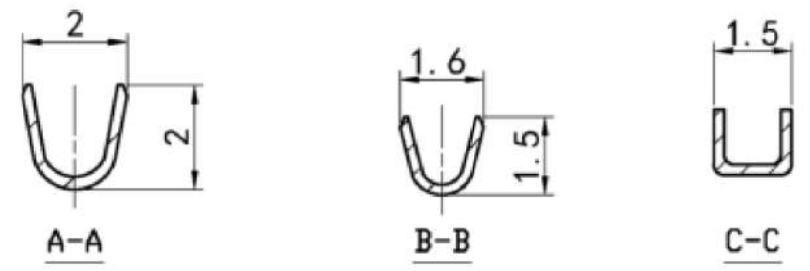
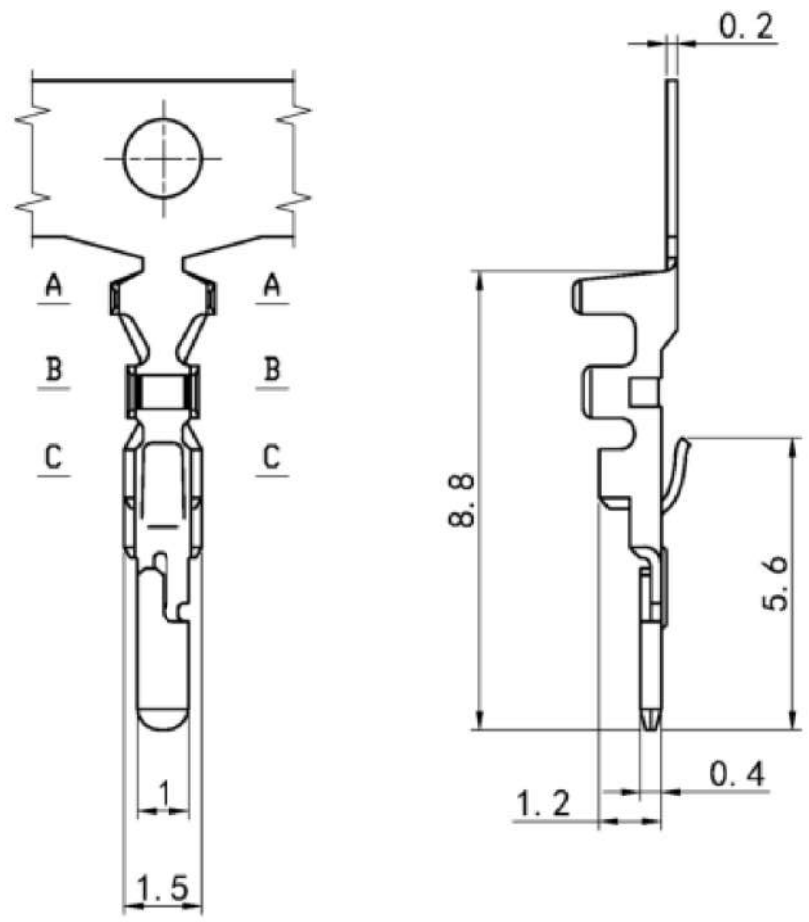


REV	ECN No.	DESCRIPTION	DESIGN	DATE
A0		Release	吴丹平	2017.04.27



范围	>0~3	>3~18	>18~50	>50~120
公差	±0.12	±0.15	±0.3	±0.5

主要技术参数 Main Specifications

线数 (Poles): 02 to 16
 接触电阻 (Contact resistance): $\leq 20\text{m}\Omega$
 绝缘电阻 (Insulation resistance): $\geq 1000\text{M}\Omega$
 额定电压 (Rated voltage): 125V AC DC
 额定电流 (Rated current): 2.0A AC DC
 耐电压 (Withstand Voltage): 500V AC/minute
 温度范围 (Temperature Range): $-25^{\circ}\text{C} \sim +85^{\circ}\text{C}$
 适用线规 (Applicable wire): AWG #28 to #24

ITEM	COMPONENT	Q'TY	MATERIAL	FINISH
B				
A	Contacts	1 PCS	PhosphorBronze	Sn-plated
JKUN 温州健坤接插件有限公司 WENZHOU JKUN CONNECTOR CO., LTD.				
X. ± 0.5 X. $\pm 5^*$ USE: CUSTOMER .X ± 0.3 .X $\pm 2^*$ APPD: 邵敬和 .XX ± 0.25 .XX $\pm 1^*$ CHKD: 田峰 -- -- DR: 吴丹平				TITLE: C2001R 端子 PART NO.: C2001RT-2 DWG NO.: JKUN-GCDZ-0026 SCALE: 1 : 1 SHEET: 1 / 1
UNITS: mm				