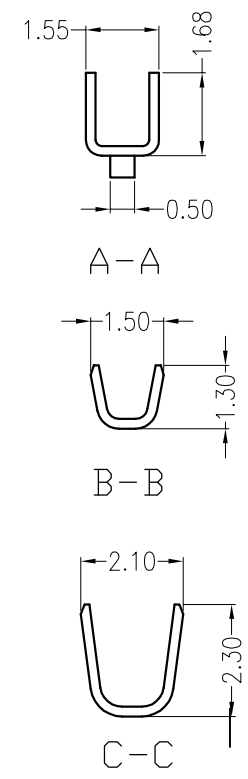
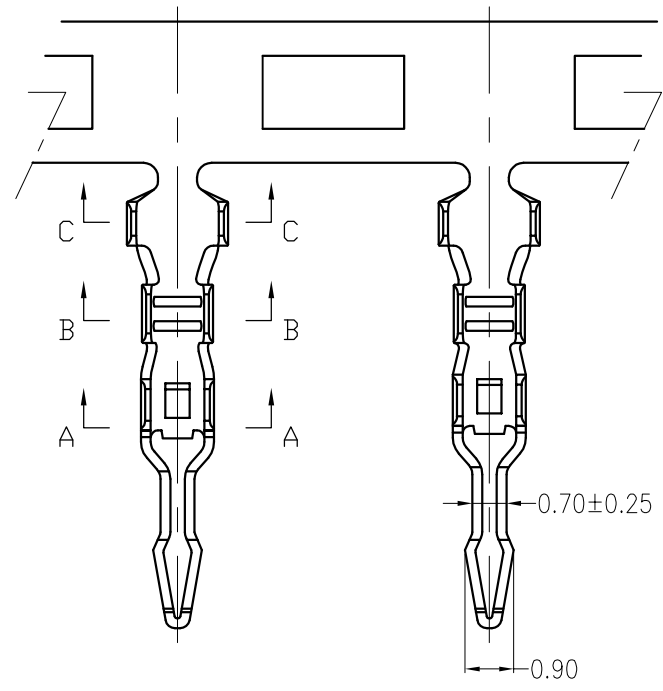
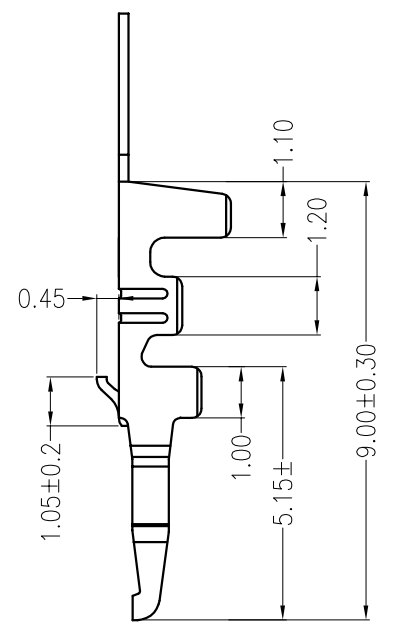


REV	ECN No.	DESCRIPTION	DESIGN	DATE
A0		Release	蒋建银	2017.03.25



Ordering Information & Specification:

Part No	Wire Range	Insulation O.D.	Material	Finish	Qty/Reel
B2001T-PA	AWG #24~#30	1.30mm(max)	Phosphor bronze	Tin-plated	11,000 pcs

<b>JKUN 温州健坤接插件有限公司</b> WENZHOU JKUN CONNECTOR CO., LTD.			TITLE:	
X.±0.5	X.±5'	USE: CUSTOMER	PART NO.:	
.X±0.3	.X±2'		B2001T	
.XX±0.25	.XX±1'	APPD: 邵敬和	DWG NO.:	
--	--	CHKD: 田峰	.JKUN/GCDZ-0018	
⊕	∠	UNITS: mm	DR: 蒋建银	SCALE 1 : 1
				SHEET 1 / 1